

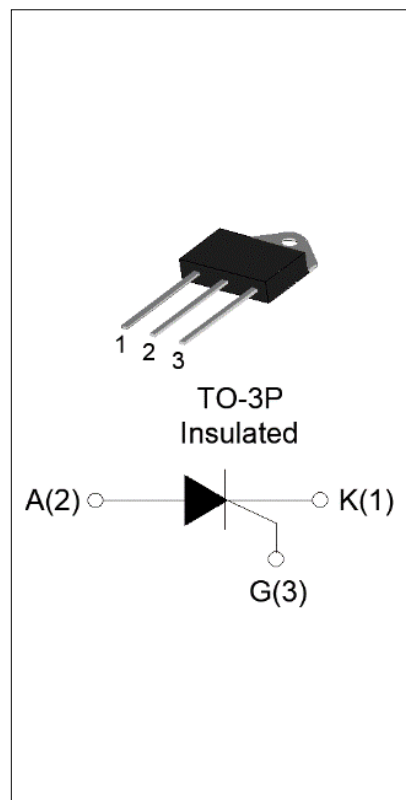


### DESCRIPTION:

With high ability to withstand the shock loading of large current, JCT1655Z SCR provides high dV/dt rate with strong resistance to electromagnetic interference. It is especially recommended for use on solid state relay, motorcycle, SVC, power charger, T-tools etc. From all three terminals to external heatsink, JCT1655Z provides a rated insulation voltage of 2500 V<sub>RMS</sub>, complying with UL standards (File ref: E252906). Package TO-3P is RoHS compliant.

### MAIN FEATURES

Symbol	Value	Unit
I <sub>T(RMS)</sub>	55	A
V <sub>DRM</sub> /V <sub>RRM</sub>	1600	V
I <sub>GT</sub>	10-80	mA



### ABSOLUTE MAXIMUM RATINGS

Parameter	Symbol	Value	Unit
Storage junction temperature range	T <sub>stg</sub>	-40-150	°C
Operating junction temperature range	T <sub>j</sub>	-40-125	°C
Repetitive peak off-state voltage (T <sub>j</sub> =25°C)	V <sub>DRM</sub>	1600	V
Repetitive peak reverse voltage (T <sub>j</sub> =25°C)	V <sub>RRM</sub>	1600	V
Average on-state current (T <sub>c</sub> ≤70°C)	I <sub>T(AV)</sub>	35	A
RMS on-state current (T <sub>c</sub> ≤70°C)	I <sub>T(RMS)</sub>	55	A
Non repetitive surge peak on-state current (t <sub>p</sub> =10ms, T <sub>j</sub> =25°C)	I <sub>TSM</sub>	600	A
Non repetitive surge peak on-state current (t <sub>p</sub> =8.3ms, T <sub>j</sub> =25°C)		640	
I <sup>2</sup> t value for fusing (t <sub>p</sub> =10ms, T <sub>j</sub> =25°C)	I <sup>2</sup> t	1800	A <sup>2</sup> s
Critical rate of rise of on-state current (I <sub>G</sub> =2×I <sub>GT</sub> , f=100Hz, T <sub>j</sub> =125°C)	di/dt	200	A/μs

Peak gate current ( $t_p=20\mu s$ , $T_j=125^\circ C$ )	$I_{GM}$	12	A
Average gate power dissipation ( $T_j=125^\circ C$ )	$P_{G(AV)}$	1	W
Peak gate power	$P_{GM}$	22	W
Peak pulse voltage ( $T_j=25^\circ C$ ; non-repetitive,off-state;FIG.7)	$V_{pp}$	1.2	kV

**ELECTRICAL CHARACTERISTICS** ( $T_j=25^\circ C$  unless otherwise specified)

Symbol	Test Condition	Value			Unit
		MIN.	TYP.	MAX.	
$I_{GT}$	$V_D=12V R_L=33\Omega$	10	-	80	mA
$V_{GT}$		-	-	1.3	V
$V_{GD}$	$V_D=V_{DRM} T_j=125^\circ C R_L=3.3K\Omega$	0.25	-	-	V
$I_L$	$I_G=1.2I_{GT}$	-	-	250	mA
$I_H$	$I_T=500mA$	-	-	200	mA
dV/dt	$V_D=1070V$ Gate Open $T_j=125^\circ C$	2200	-	-	V/ $\mu s$
$t_{on}$	$I_G=100mA I_A=1A I_R=100mA$ $T_j=25^\circ C$	-	10	-	$\mu s$
$t_{off}$		-	150	-	

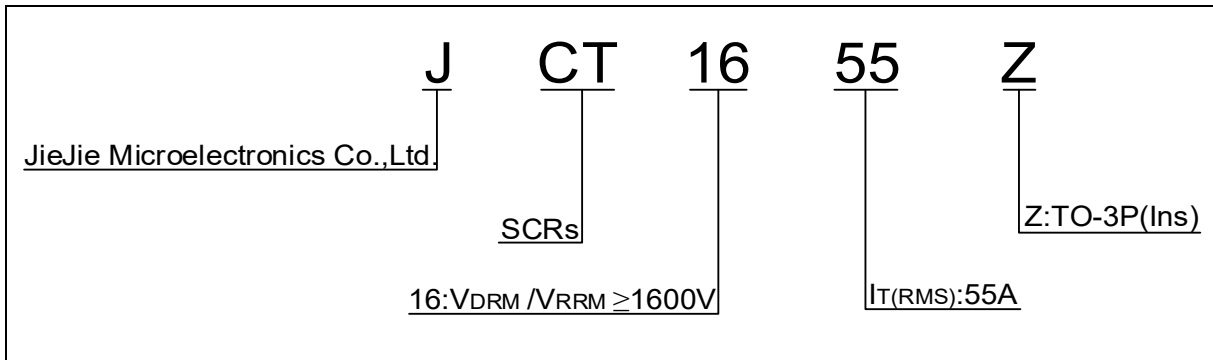
**STATIC CHARACTERISTICS**

Symbol	Parameter		Value(MAX.)	Unit
$V_{TM}$	$I_{TM}=80A t_p=380\mu s$	$T_j=25^\circ C$	1.7	V
$V_{TO}$	Threshold voltage	$T_j=125^\circ C$	0.89	V
$R_D$	Dynamic resistance	$T_j=125^\circ C$	8.7	m $\Omega$
$I_{DRM}$	$V_D=V_{DRM} V_R=V_{RRM}$	$T_j=25^\circ C$	20	$\mu A$
$I_{RRM}$		$T_j=125^\circ C$	8	mA

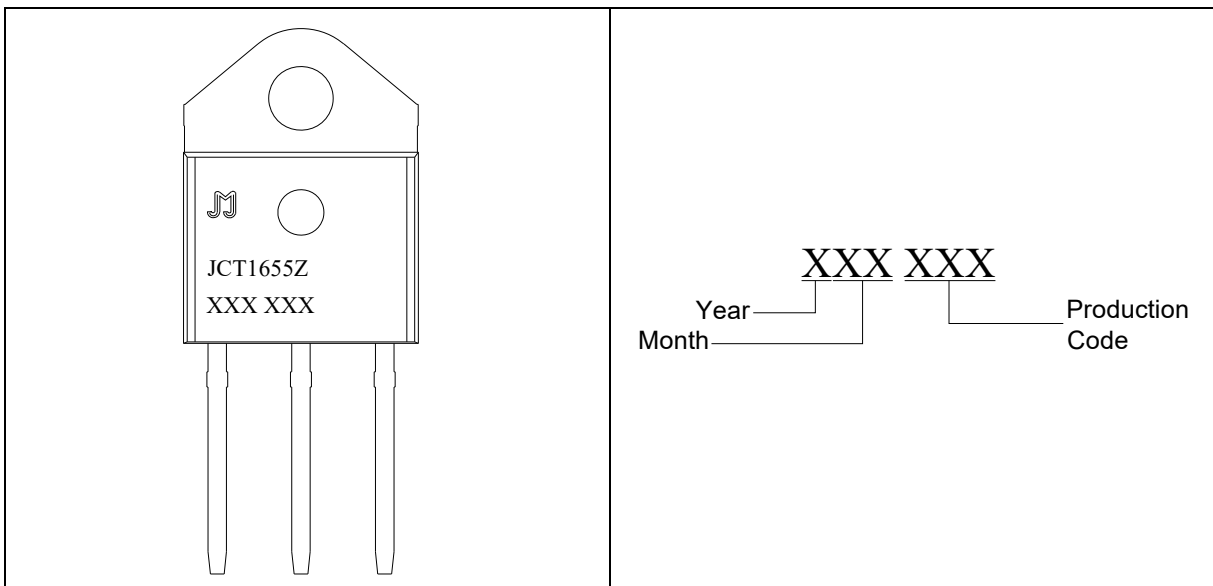
**THERMAL RESISTANCES**

Symbol	Parameter	Value	Unit
$R_{th(j-c)}$	junction to case(DC)	0.65	$^\circ C/W$
$R_{th(j-a)}$	junction to ambient (DC)	50	$^\circ C/W$

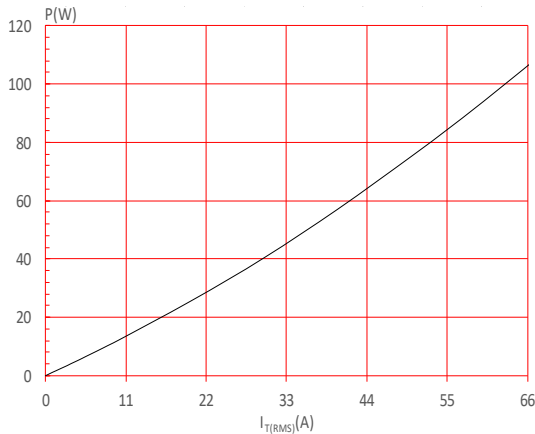
**ORDERING INFORMATION**



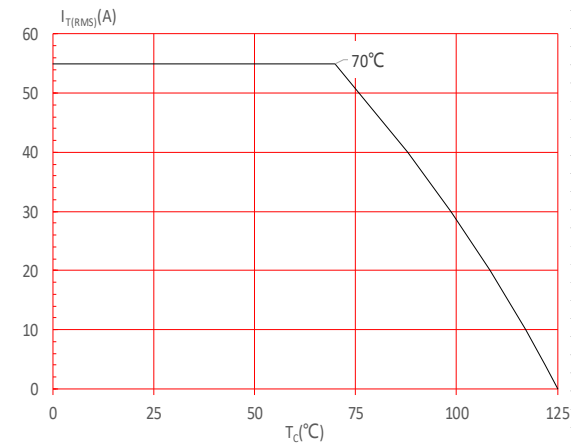
**MARKING**



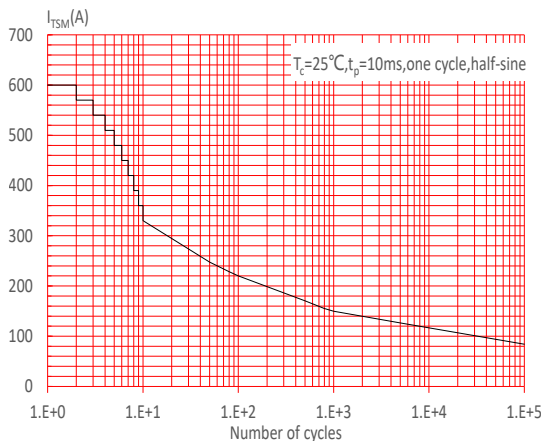
**FIG.1** Maximum power dissipation versus RMS on-state current



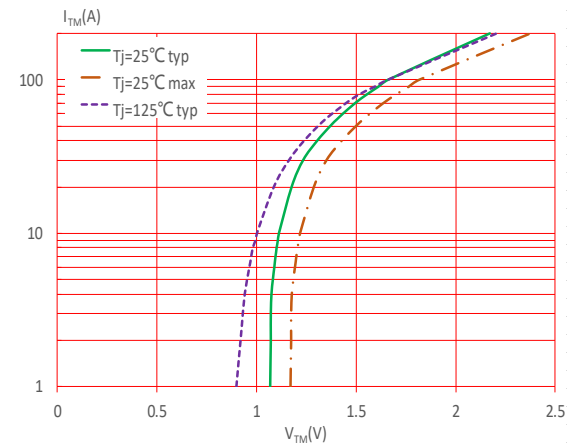
**FIG.2:** RMS on-state current versus case temperature



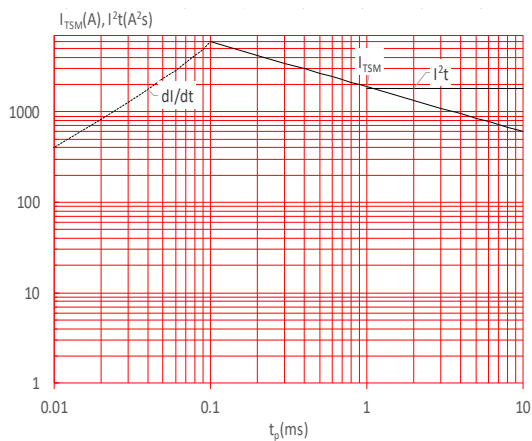
**FIG.3:** Surge peak on-state current versus number of cycles



**FIG.4:** On-state characteristics



**FIG.5:** Non-repetitive surge peak on-state current for a sinusoidal pulse with width  $t_p < 10\text{ms}$ , and corresponding value of  $I^2t$  ( $di/dt < 200\text{A}/\mu\text{s}$ )



**FIG.6:** Relative variations of gate trigger current, holding current and latching current versus junction temperature

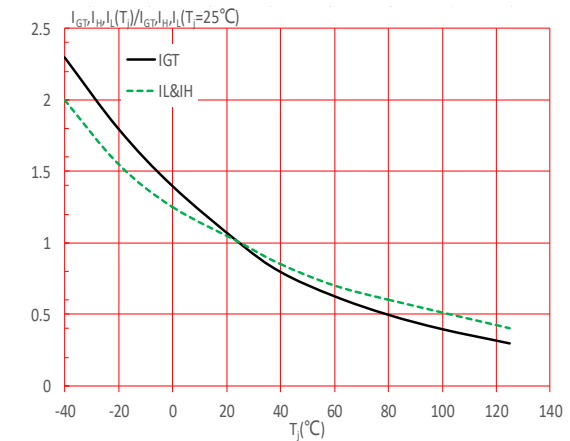
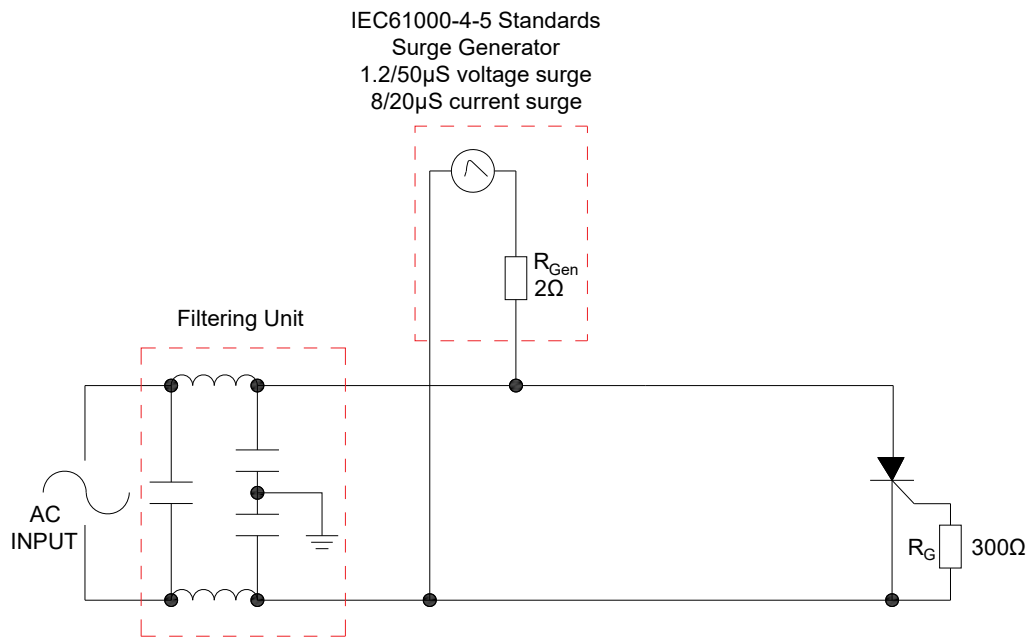


FIG.7: Test circuit for inductive and resistive loads to IEC-61000-4-5 standards.



## SHAPING AND SOLDERING PARAMETERS

Refer to 《Instructions for installation of plastic-sealed in-line power devices》 released by JieJie

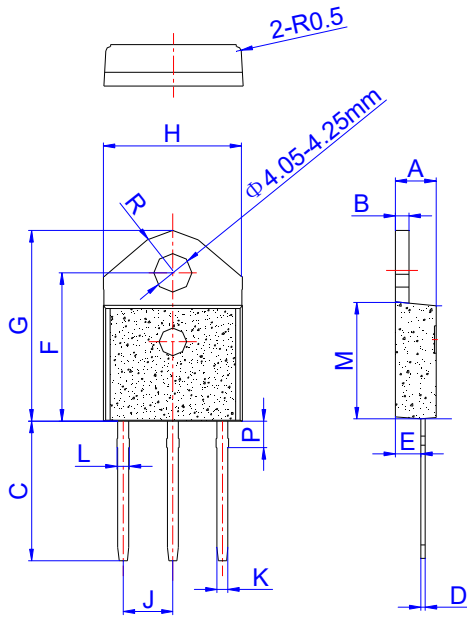
**ORDERING INFORMATION**

Order code	Voltage $V_{DRM}/V_{RRM}$ (V)	IGT(mA)	Package	Base qty. (pcs)	Delivery mode
JCT1655Z	1600	10-80	TO-3P(Ins)	30	Tube

**Document Revision History**

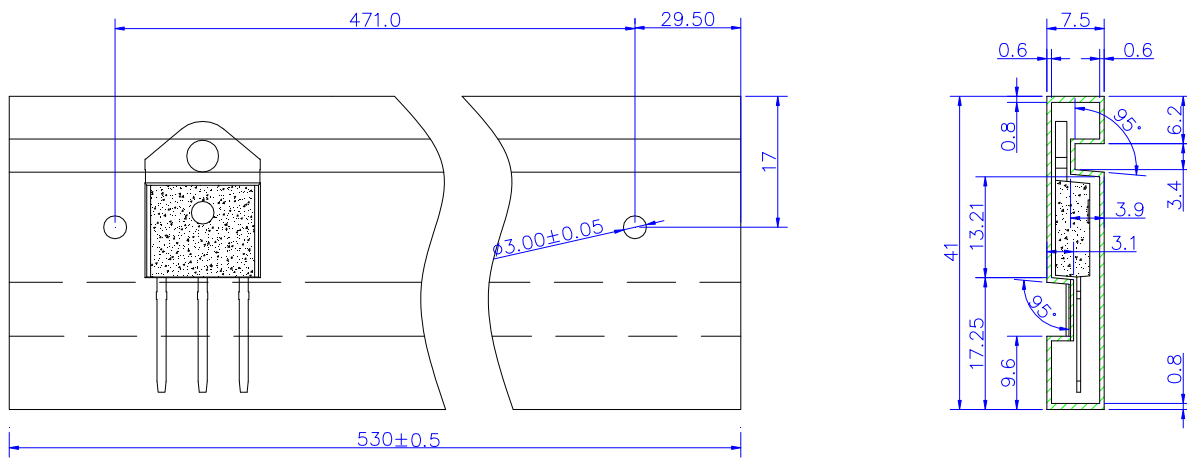
Date	Revision	Changes
Apr.13, 2023	A.1.0	Last update

PACKAGE MECHANICAL DATA




Ref.	Dimensions					
	Millimeters			Inches		
	Min.	Typ.	Max.	Min.	Typ.	Max.
A	4.40		4.60	0.173		0.181
B	1.45		1.55	0.057		0.061
C	14.35		15.60	0.565		0.614
D	0.50		0.70	0.020		0.028
E	2.70		2.90	0.106		0.114
F	15.80		16.50	0.622		0.650
G	20.40		21.10	0.803		0.831
H	15.10		15.50	0.594		0.610
J	5.40		5.65	0.213		0.222
K	1.10		1.40	0.043		0.055
L	1.25		1.45	0.049		0.057
M	12.37		12.77	0.487		0.503
P	2.80		3.00	0.110		0.118
R		4.35			0.171	

DELIVERY MODE



PACKAGE	OUTLINE	TUBE (PCS)	INNER BOX (PCS)	PER CARTON
TO-3P	TUBE	30	450	2,250

Information furnished in this document is believed to be accurate and reliable. However, Jiangsu JieJie Microelectronics Co., Ltd. assumes no responsibility for the consequences of use without consideration for such information nor use beyond it. Information mentioned in this document is subject to change without notice, apart from that when an agreement is signed, Jiangsu JieJie complies with the agreement. Products and information provided in this document have no infringement of patents. Jiangsu JieJie assumes no responsibility for any infringement of other rights of third parties which may result from the use of such products and information. This document supersedes and replaces all information previously supplied.

 is a registered trademark of Jiangsu JieJie Microelectronics Co., Ltd. Copyright ©2023 Jiangsu JieJie Microelectronics Co., Ltd. Printed All rights reserved.